

TECHNICAL DATA SHEET

**Spike plate P66/50 N**

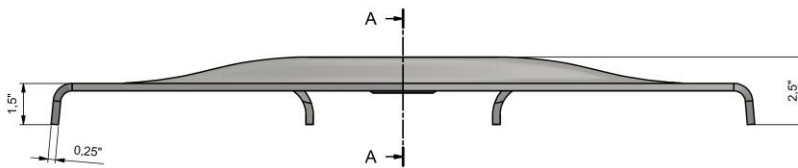
**for high-tensile steel wire mesh **TECCO**<sup>®</sup> / **SPIDER**<sup>®</sup>**

Spike plate P66/50 N	
Length:	26.25 in
Width:	11.82 in
Thickness:	0.25 in
Hole diameter:	1.97 in (50 mm)
Length of the spikes:	min. 1.18 in
Weight:	12.6 lbs
Geometry:	diamond
Longitudinal bending resistance:	≥ 540 lb-ft

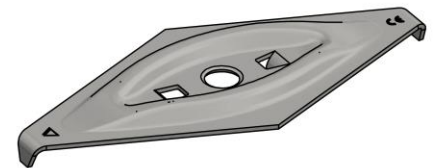
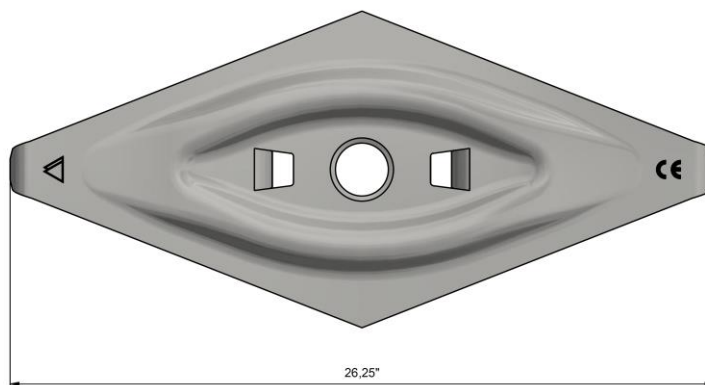
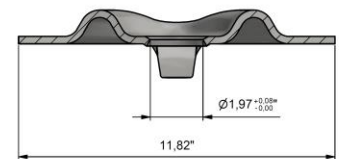
Spike plate P66/50 N Steel	
Material:	ASTM 1018 (A572/SA572 GR 50) ASME A656/SA656 GR 50 Type 7

Spike plate P66/50 N corrosion protection	
Corrosion protection:	hot-dip galvanized per ASTM A123
Layer thickness in average:	85 µm

Spike plate P66/50 N



Section A-A



Rockfall, slides, mudflows and avalanches are natural events and therefore cannot be calculated. This is why it is impossible to determine or guarantee absolute safety for persons and property with scientific methods. This means that to provide the protection we strive for, it is imperative to maintain and service protective systems regularly and appropriately. Moreover, the degree of protection can be diminished by events that exceed the absorption capacity of the system as calculated to good engineering practice, failure to use original parts or corrosion (i.e., from environmental pollution or other outside influences).