

TECHNICAL DATA SHEET

Spike plate P66/50 N

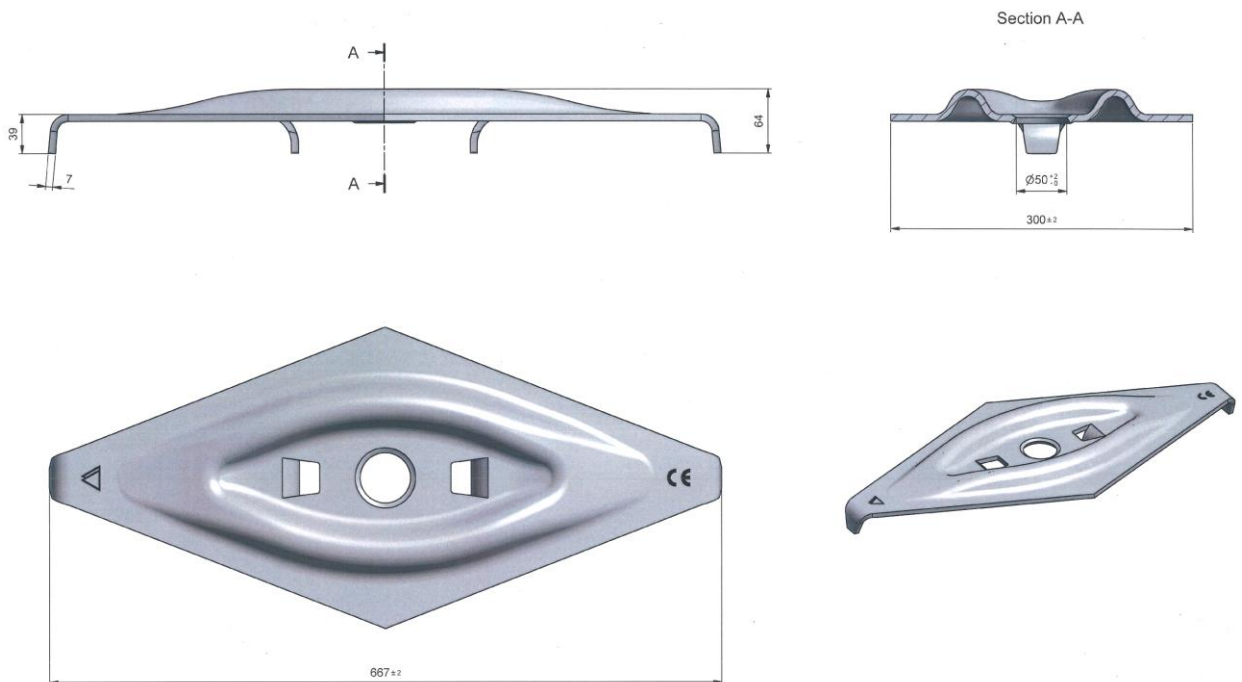
for high-tensile steel wire mesh **TECCO[®] / **SPIDER**[®]**

Spike plate P66/50 N	
Length:	667 mm
Width:	300 mm
Thickness:	7 mm
Hole diameter:	50 mm
Length of the spikes:	min. 30 mm
Weight:	6.7 kg
Geometry:	diamond
Longitudinal bending resistance:	≥ 8 kNm

Spike plate P66/50 N Steel	
Steel quality:	S355J according to EN 10025-2

Spike plate P66/50 N corrosion protection	
Corrosion protection:	hot-dip galvanized based on EN ISO 1461
Layer thickness in average:	55 µm

Spike plate P66/50 N



Rockfall, slides, mudflows and avalanches are natural events and therefore cannot be calculated. This is why it is impossible to determine or guarantee absolute safety for persons and property with scientific methods. This means that to provide the protection we strive for, it is imperative to maintain and service protective systems regularly and appropriately. Moreover, the degree of protection can be diminished by events that exceed the absorption capacity of the system as calculated to good engineering practice, failure to use original parts or corrosion (i.e., from environmental pollution or other outside influences).