

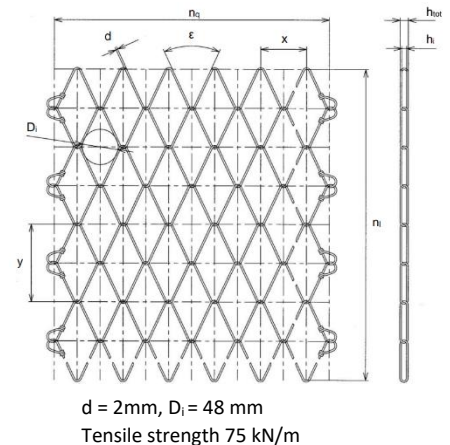
GWP (Global Warming Potential) in CO₂e TECCO® G45/2 STAINLESS

Based on the Environmental Product Declaration (Type III) for high-tensile chain-link mesh.

In accordance with ISO 14025:2006
EN 15804.2012+A2:2019/AC:2021

Program:  **EPD**[®]
THE INTERNATIONAL EPD® SYSTEM
Registration number: EPD-IES-0017360

LCA-Consultant: DEKRA Assurance Services GmbH
Third-party verifier: Jonas Bengtsson, edge impact



Conversion table for project-based GWP*

Modules declared	Description	GWP per kg mesh in kg CO ₂ eq.	GWP per m ² mesh in kg CO ₂ eq.
	Amount of steel 1.10 kg/m ² mesh		
A1 – A3	Product stage Raw material supply Transport Manufacturing	5.34E+00	5.87E+00
C1	Deconstruction, demolition	6.27E-02	6.90E-02
C2	Transport at end-of-life	1.94E-02	2.13E-02
C3	Waste processing	1.45E-02	1.60E-02
C4	Disposal	3.19E-04	3.49E-04
D	Reuse-recovery-recycling-potential	-7.04E-01	-7.76E-01

* Global Warming Potential