

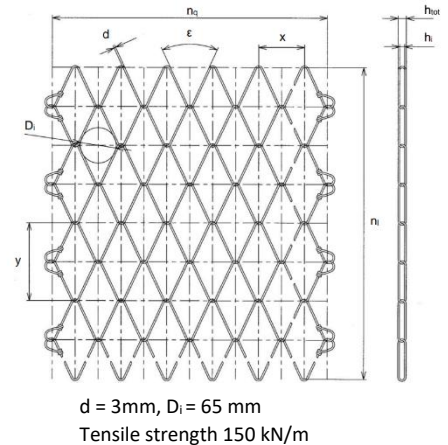
GWP-total of TECCO G65/3

Based on the Environmental Product Declaration (Type III) for high-tensile chain-link mesh.

In accordance with ISO 14025:2006
EN 15804.2012+A2:2019/AC:2021

Program:  **EPD**[®]
THE INTERNATIONAL EPD[®] SYSTEM
Registration number: S-P-06298

LCA-Consultant: DEKRA Assurance Services GmbH
Third-party verifier: Jonas Bengtsson, edge impact



Conversion table for project-based GWP*

Modules declared	Description	GWP per kg mesh in kg CO ₂ eq.	GWP per m ² mesh in kg CO ₂ eq.
	Amount of steel 1.65 kg/m ² mesh		
A1 – A3	Product stage Raw material supply Transport Manufacturing	2.36E+00	3.89E+00
C1	Deconstruction, demolition	6.36E-02	1.05E-01
C2	Transport at end-of-life	1.94E-02	3.20E-02
C3	Waste processing	1.42E-02	2.34E-02
C4	Disposal	3.19E-04	5.26E-04
D	Reuse-recovery-recycling-potential	-8.75E-01	-1.44E-00

* Global Warming Potential

DEKRA hereby confirms that the information on this page is correct. Further information can be found in the publicly available EPD.

Stuttgart, 29.05.2024

i.A.
Nadine Rötzer
Product Manager Product Sustainability
DEKRA Assurance Services GmbH

