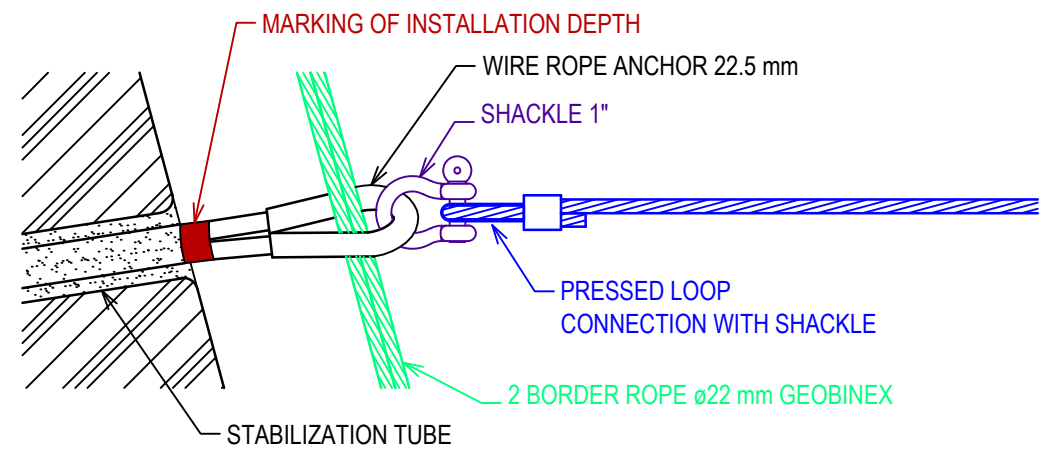
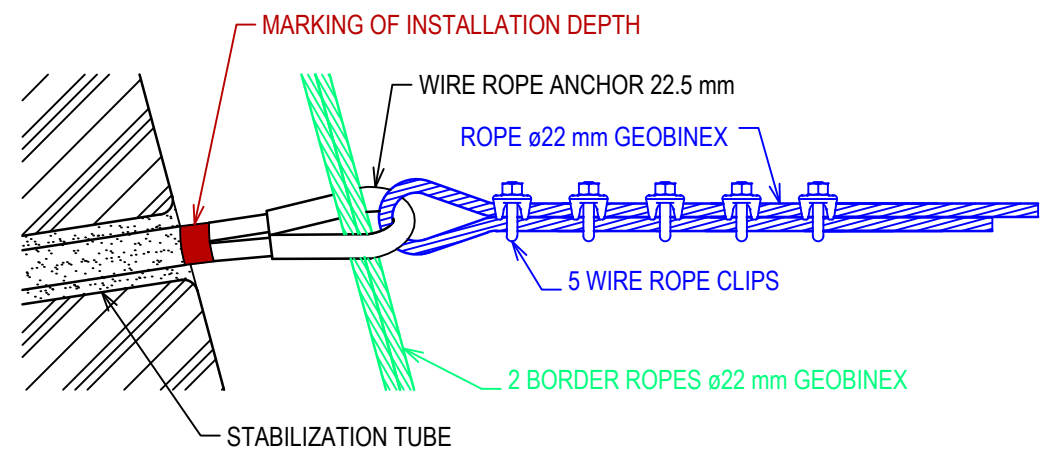
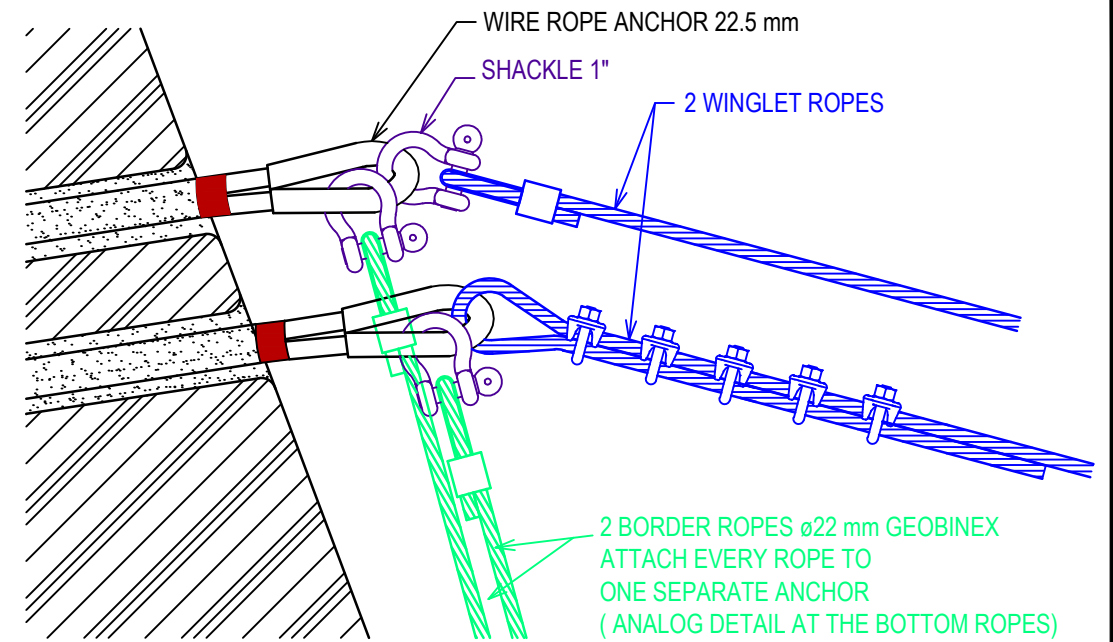


DETAIL OF CONNECTIONS:



modification:	M: %	substitute for: GD-1002 ed. 05.10.16
-		replaced by:
Debris fLow Protection System VX		drawn 12.07.17 BIH
Type: VX140 - H4		checked 12.07.17 BIH
-		approved 12.07.17 BRR
GEOBRUGG AG CH-8590 Romanshorn		GD-1002.2e

This document is proprietary to GEOBRUGG AG and is copyrighted with all rights reserved. It may not in whole or in part, be distributed, copied in any form, translated or otherwise reproduced in any form.

This document will not be exchanged, when being modified.