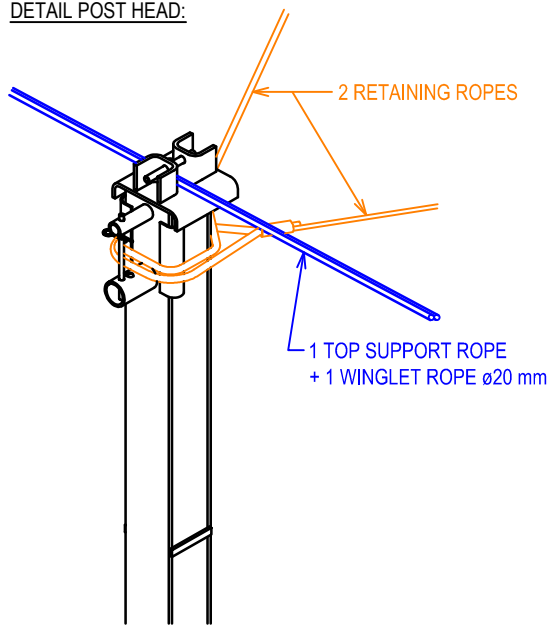
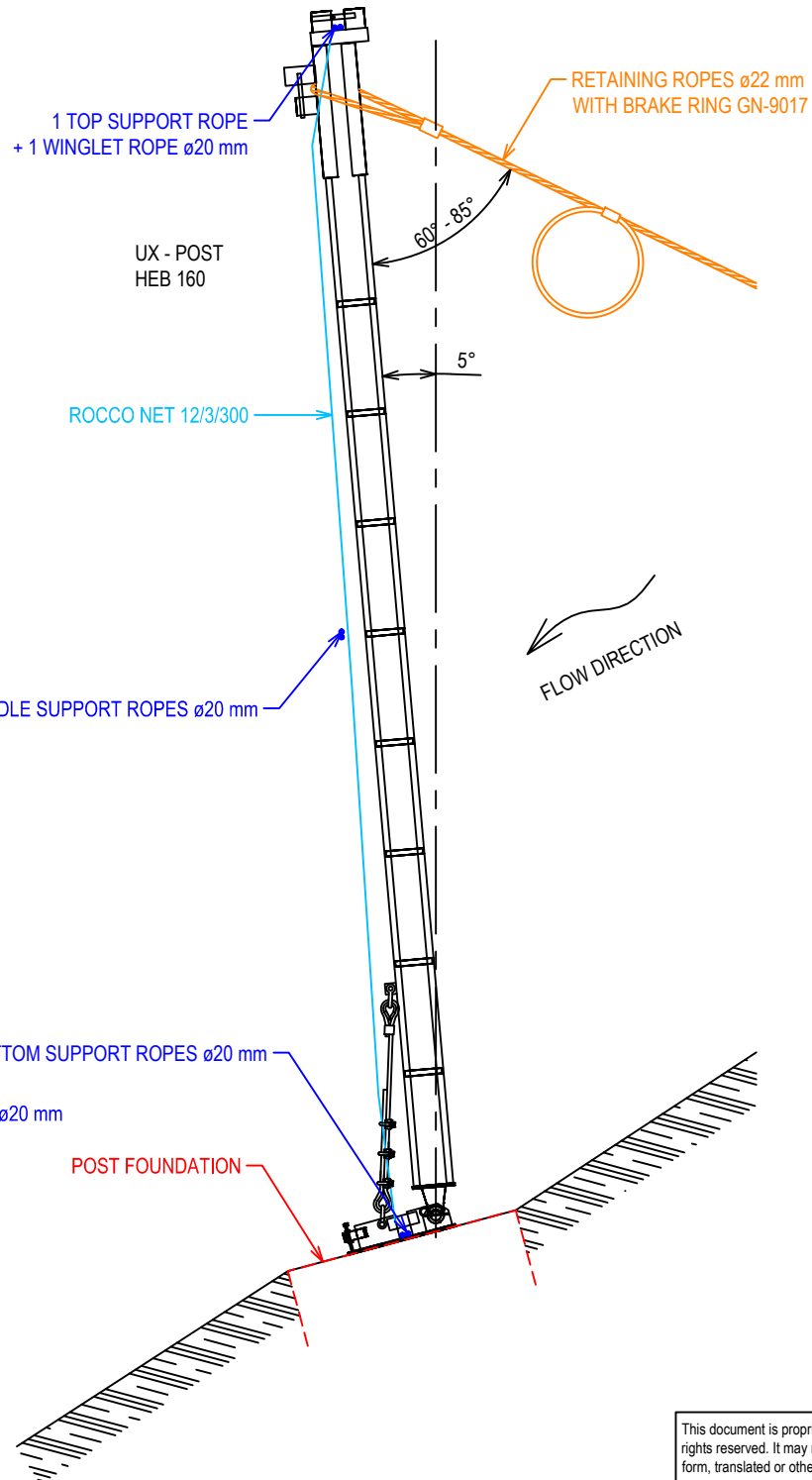
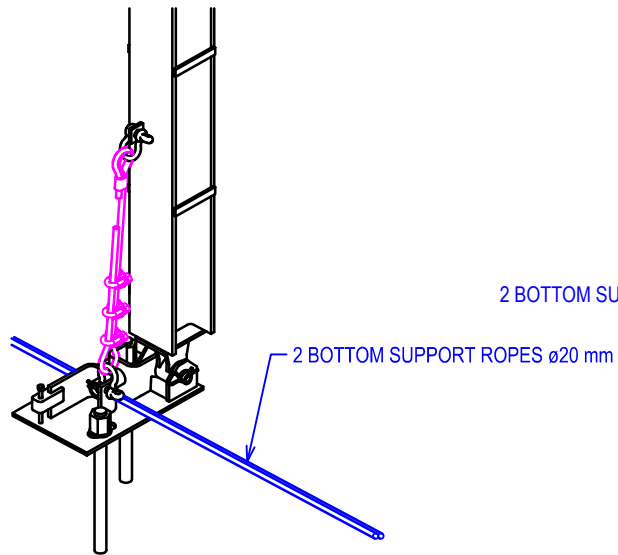


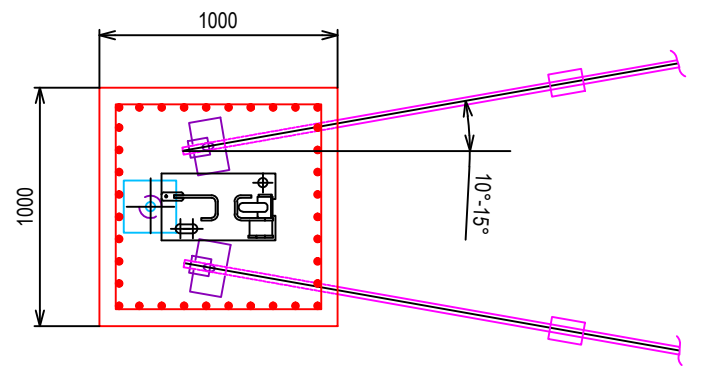
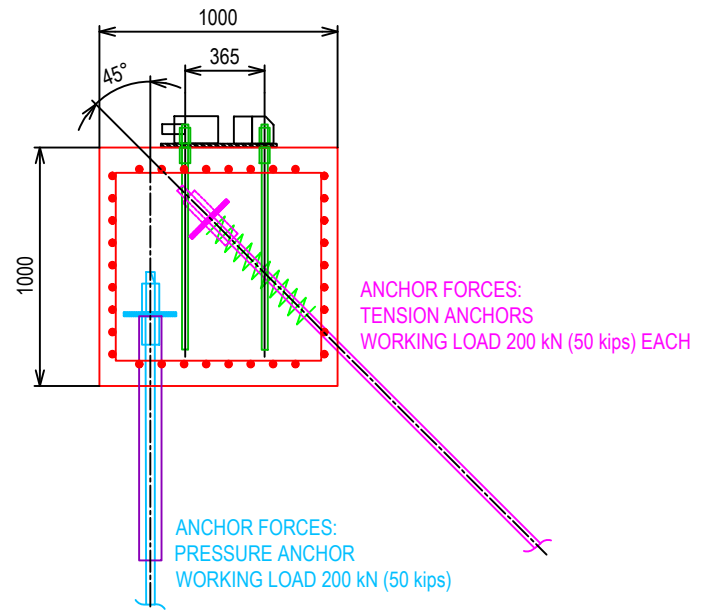
DETAIL POST HEAD:



DETAIL POST FOOT:



POST FOUNDATION:



modification:	M:%	substitute for: GD-1010.2e ed. 05.10.16
-		replaced by:
Debris Flow Protection System UX		
drawn	18.07.17	BIH
checked	18.07.17	BIH
approved	18.07.17	BRR
Type: UX060L - H4		
Details Post		
GEOBRUGG AG CH-8590 Romanshorn		GD-1010.2e

This document is proprietary to GEOBRUGG AG and is copyrighted with all rights reserved. It may not in whole or in part, be distributed, copied in any form, translated or otherwise reproduced in any form.

This document will not be exchanged, when being modified.