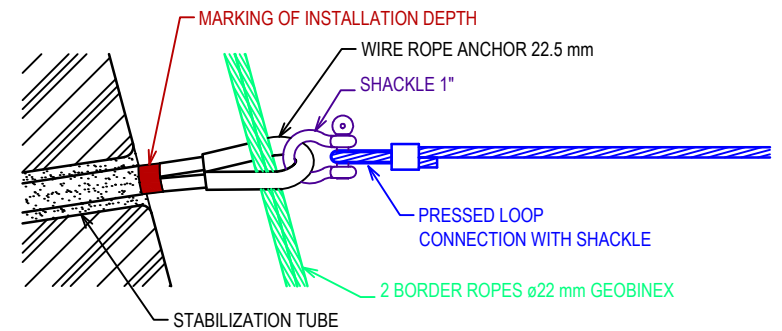
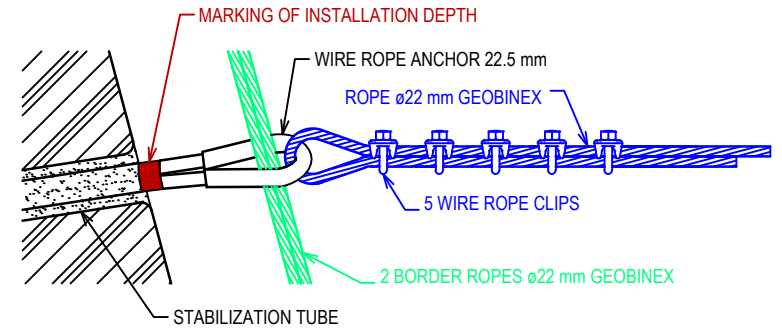
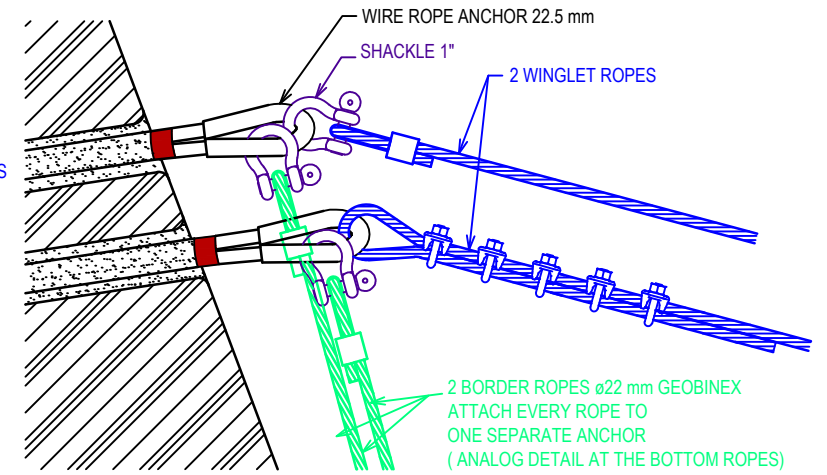


DETAIL OF CONNECTIONS:



modification:	M: %	substitute for: GD-1008 ed. 05.10.16
-		replaced by:
<b>Debris Flow Protection System UX</b>		
<b>Type: UX180 - H6</b>		
drawn	12.07.17	BIH
checked	12.07.17	BIH
approved	12.07.17	BRR
GEOBRUGG AG CH-8590 Romanshorn		<b>GD-1008.3e</b>

This document is proprietary to GEOBRUGG AG and is copyrighted with all rights reserved. It may not in whole or in part, be distributed, copied in any form, translated or otherwise reproduced in any form.

This document will not be exchanged, when being modified.