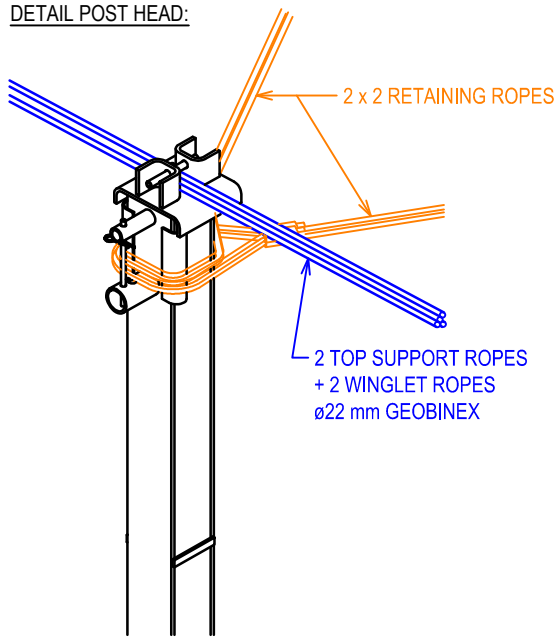
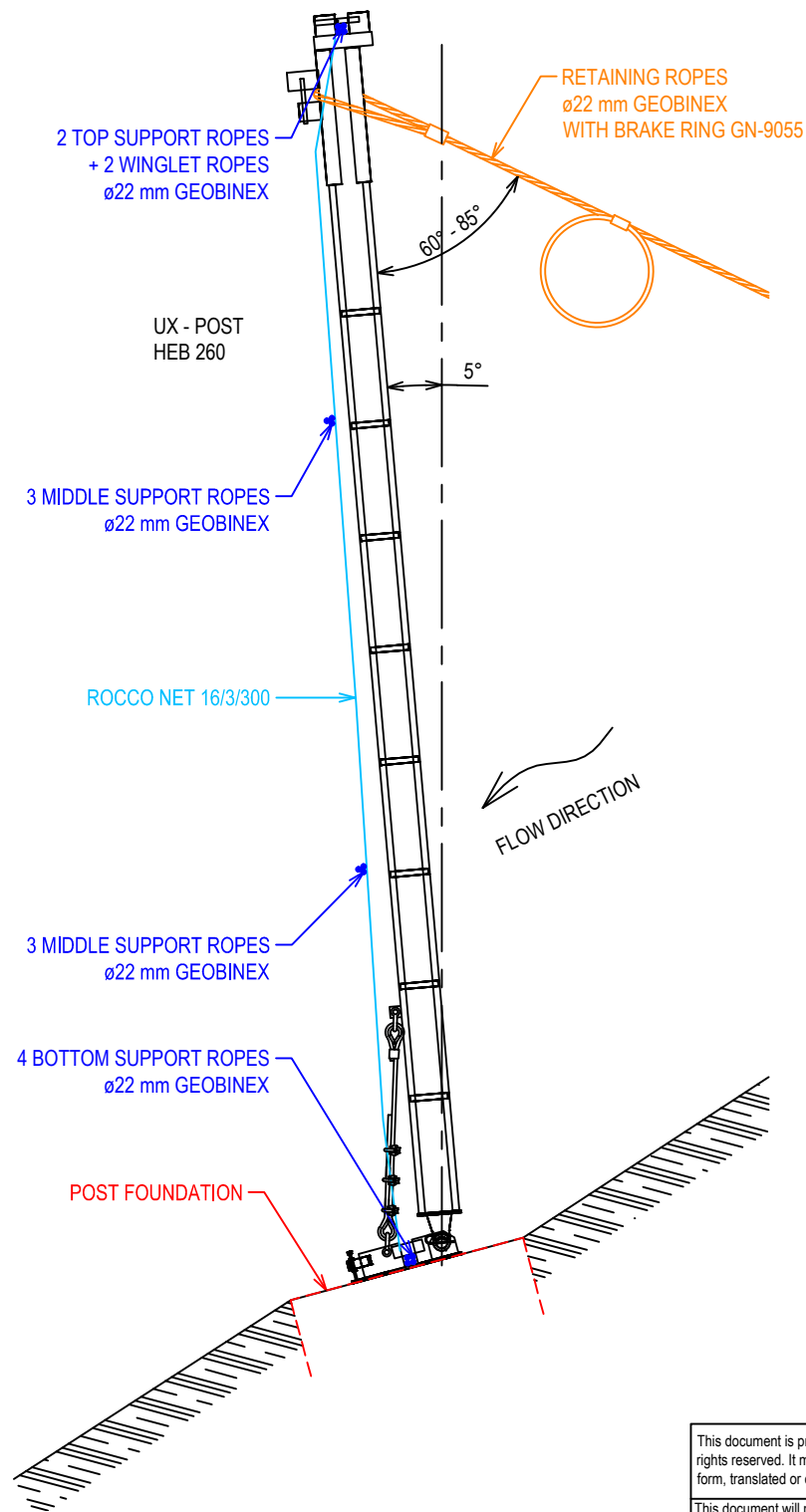
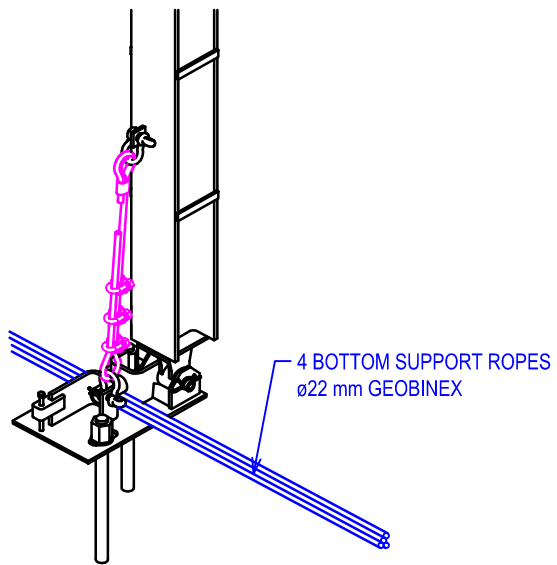


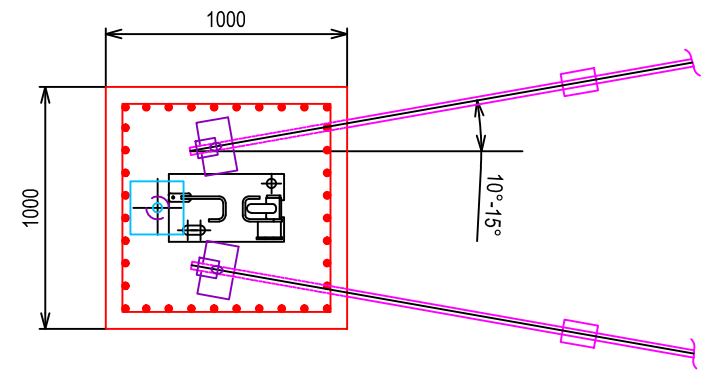
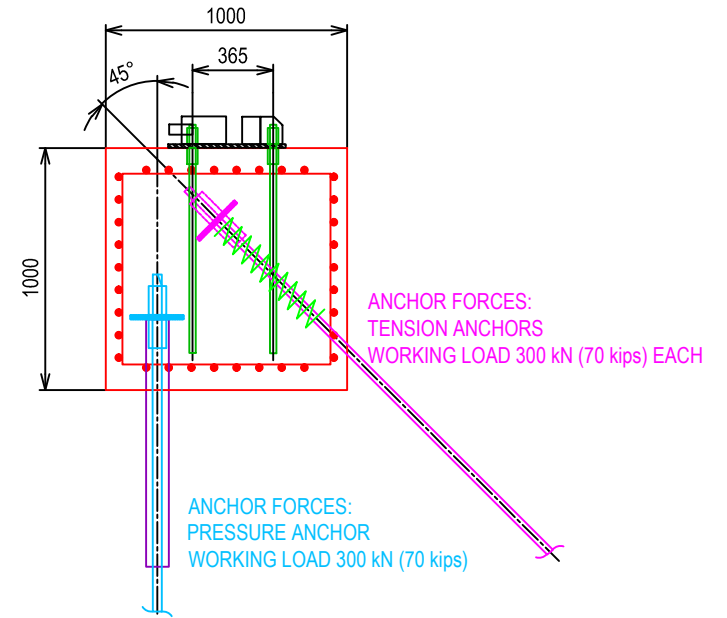
DETAIL POST HEAD:



DETAIL POST FOOT:



POST FOUNDATION:



modification: M:% substitute for: GD-1008.2e ed. 04.10.16
replaced by:

Debris Flow Protection System UX Type: UX180 - H6 Details Post	drawn	12.07.17	BIH
	checked	12.07.17	BIH
	approved	12.07.17	BRR

GEOBRUGG AG
CH-8590 Romanshorn



GD-1008.2e

This document is proprietary to GEOBRUGG AG and is copyrighted with all rights reserved. It may not in whole or in part, be distributed, copied in any form, translated or otherwise reproduced in any form.

This document will not be exchanged, when being modified.