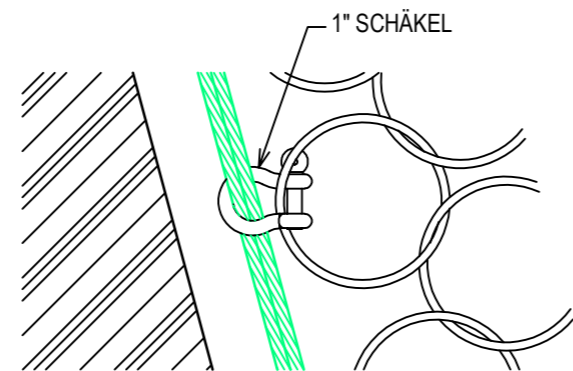
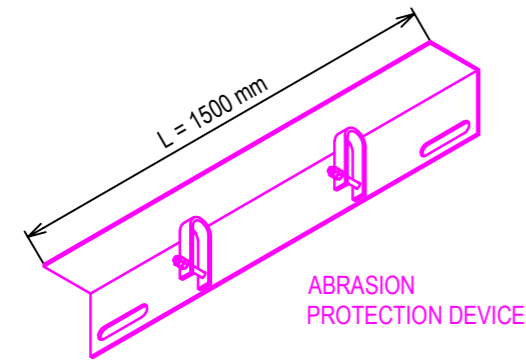
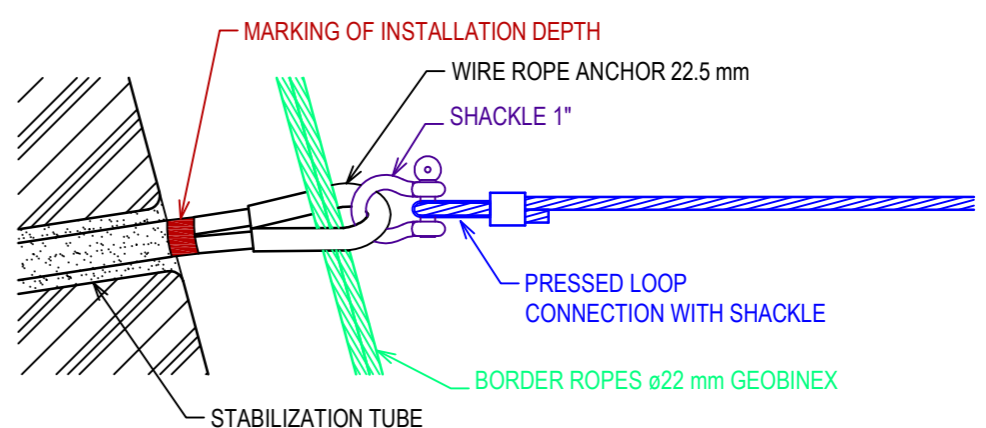
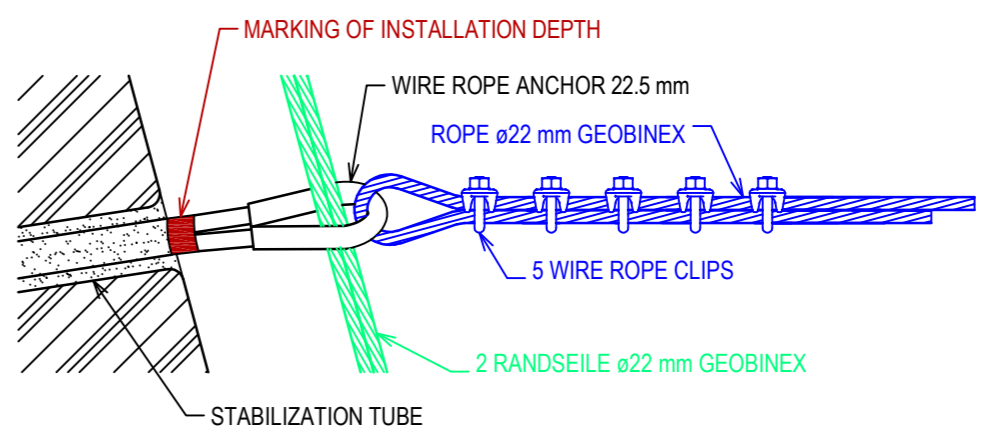
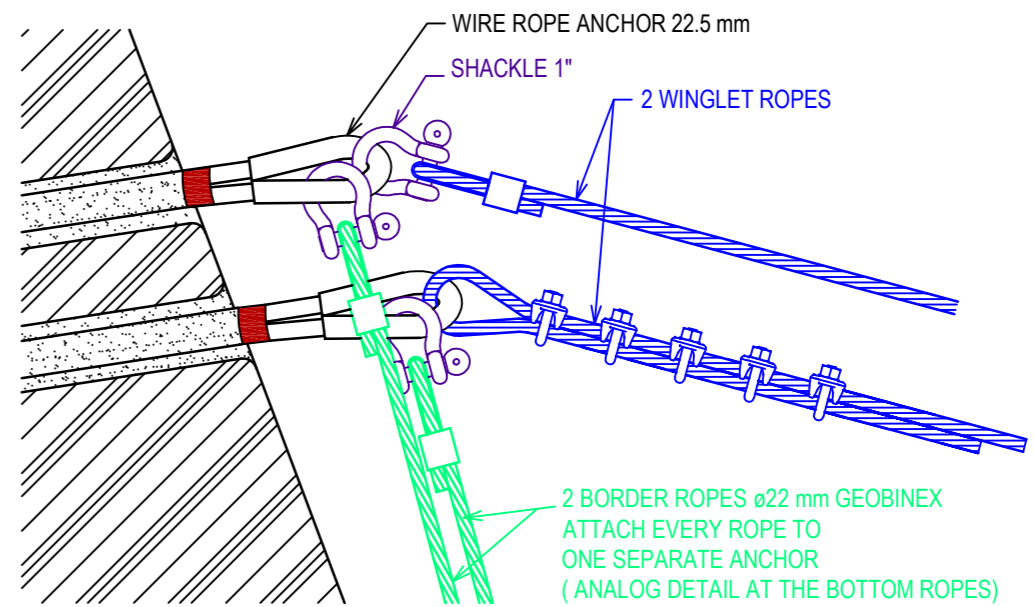


DETAIL OF CONNECTIONS:



This document is proprietary to GEOBRUGG AG and is copyrighted with all rights reserved. It may not in whole or in part, be distributed, copied in any form, translated or otherwise reproduced in any form.
 This document will not be exchanged, when being modified.

modification:	M:%	substitute for: GD-1007e ed. 12.07.17
		replaced by:
Debris Flow Protection System UX		drawn 15.01.19 BIH
Type: UX120 - H6		checked 15.01.19 BIH
Rope and net connection		approved 15.01.19 BRR
GEOBRUGG AG CH-8590 Romanshorn		GD-1007.3e