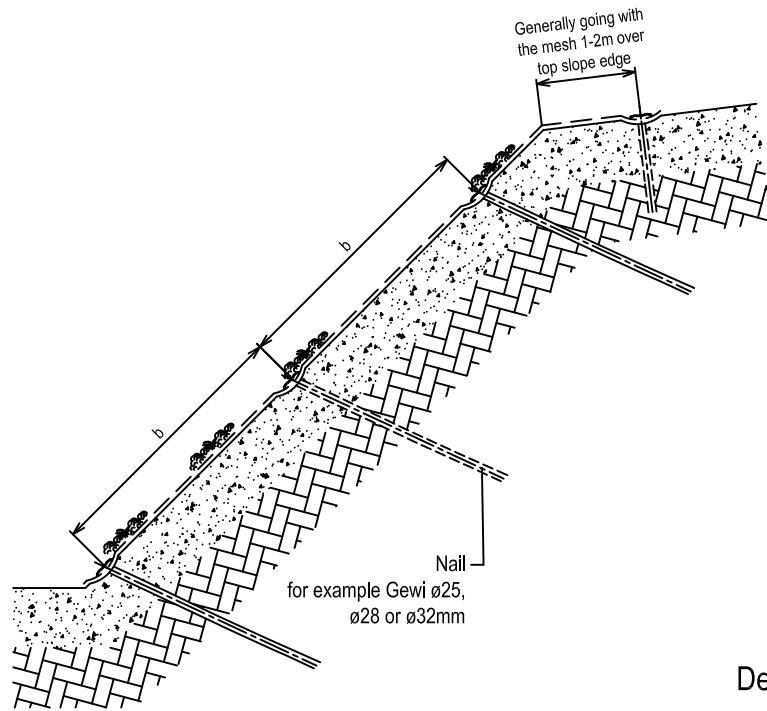
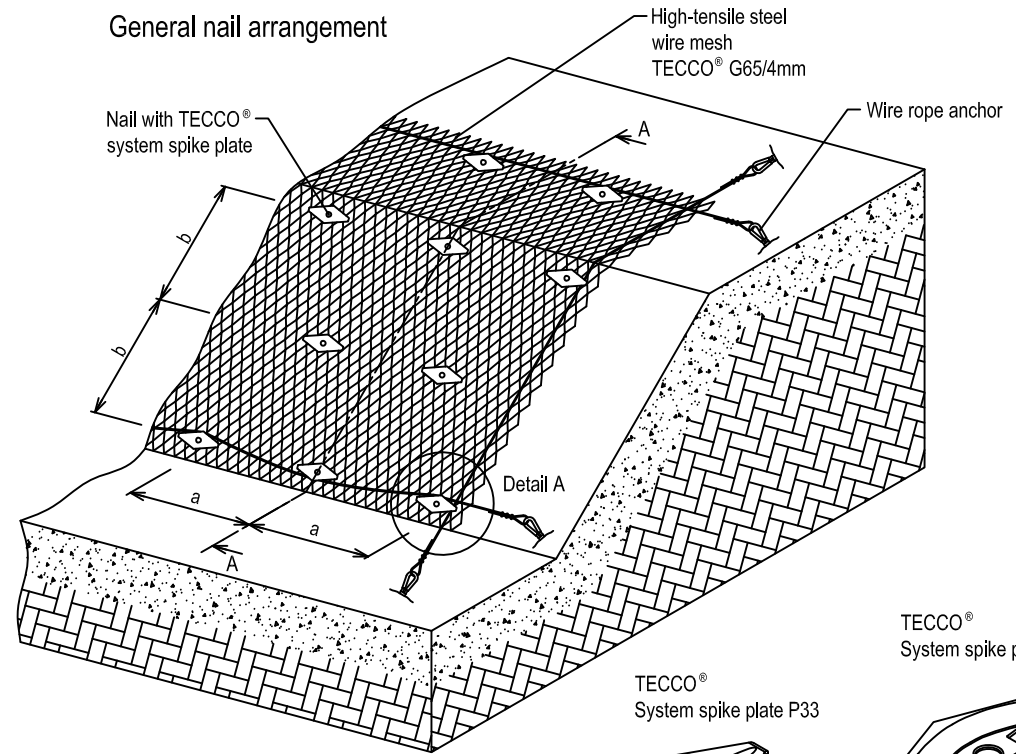


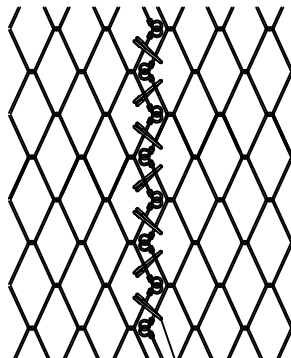
Cross section A-A



General nail arrangement

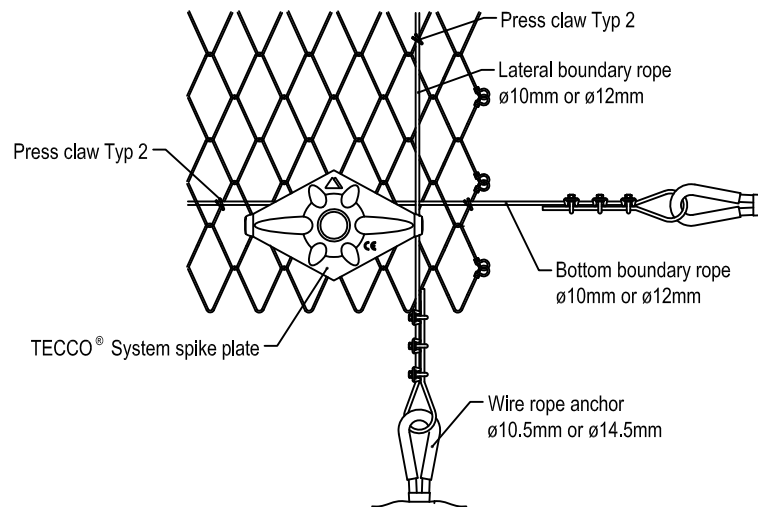


TECCO® mesh connection vertical normally without overlap



Connection clip T3 (2 Clips per mesh)

Detail A



TECCO® System spike plate P66

TECCO® System spike plate P33

Connection clip T3

Press claw Typ 2

modification:	M:%	substitute for: GE-1006e ed. 29.07.16
-		replaced by:
TECCO® G65/4		drawn 07.12.16 BIH
System drawing		checked 07.12.16 BIH
		approved 07.12.16 ROA1
GEOBRUGG AG CH-8590 Romanshorn		
		GE-1006e

This document is proprietary to Geobrugg AG and is copyrighted with all rights reserved. It may not in whole or in part, be distributed, copied in any form, translated or otherwise reproduced in any form.

This document will not be exchanged, when being modified.