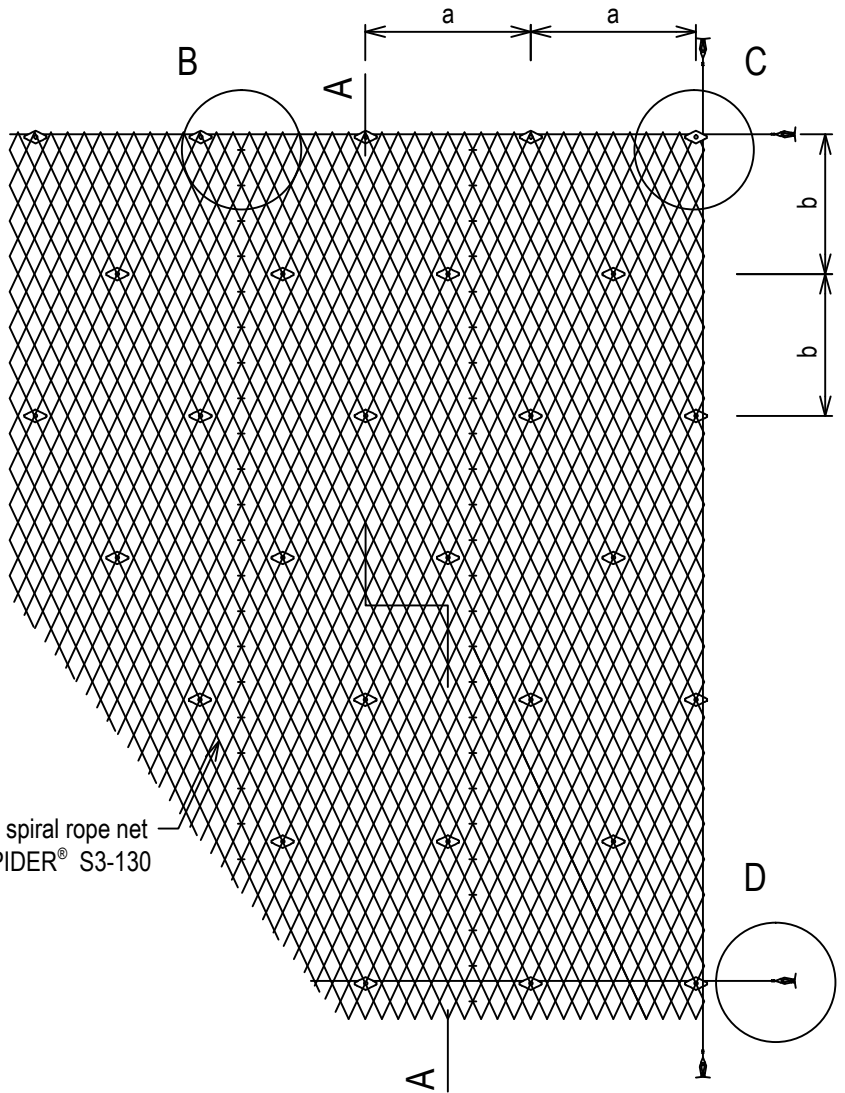
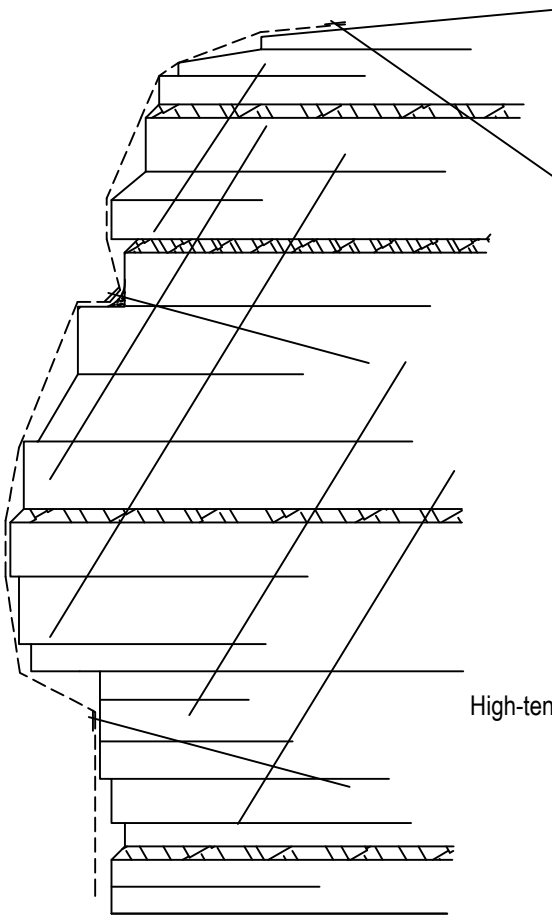
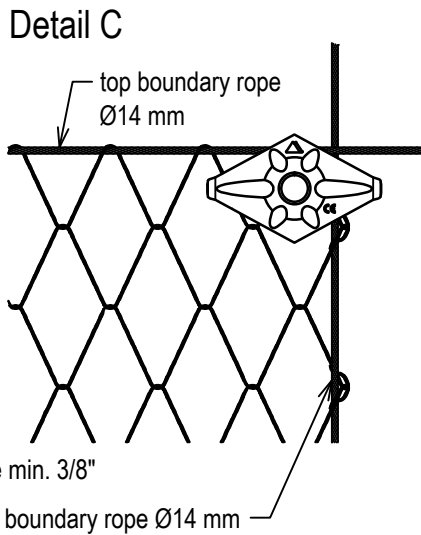
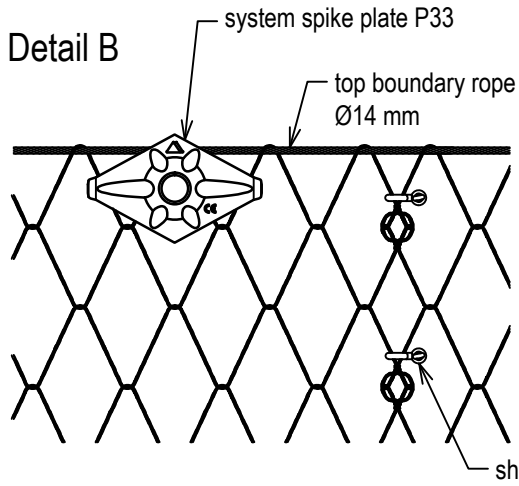


Section A - A



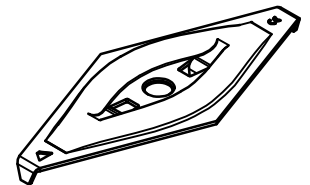
High-tensile spiral rope net
SPIDER® S3-130



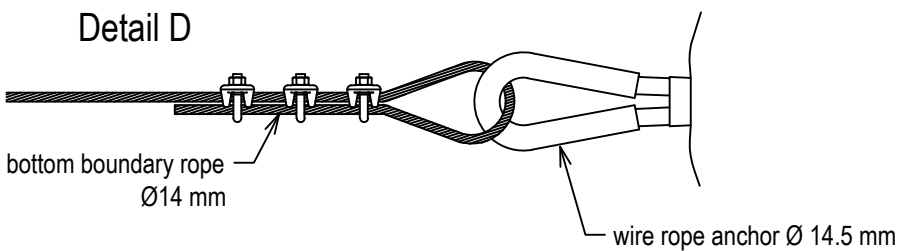
SPIDER®
system spike plate P33



SPIDER®
system spike plate P66



Detail D



This document is proprietary to Geobrugg AG and is copyrighted with all rights reserved. It may not in whole or in part, be distributed, copied in any form, translated or otherwise reproduced in any form.
This document will not be exchanged, when being modified.

modification:	M:%	substitute for: GE-1010e ed. 02.08.16
		replaced by:
SPIDER® S3-130		drawn 06.09.16 BIH
System drawing		checked 06.09.16 BIH
		approved 06.09.16 ROA1
GEOBRUGG AG CH-8590 Romanshorn		GE-1010 e