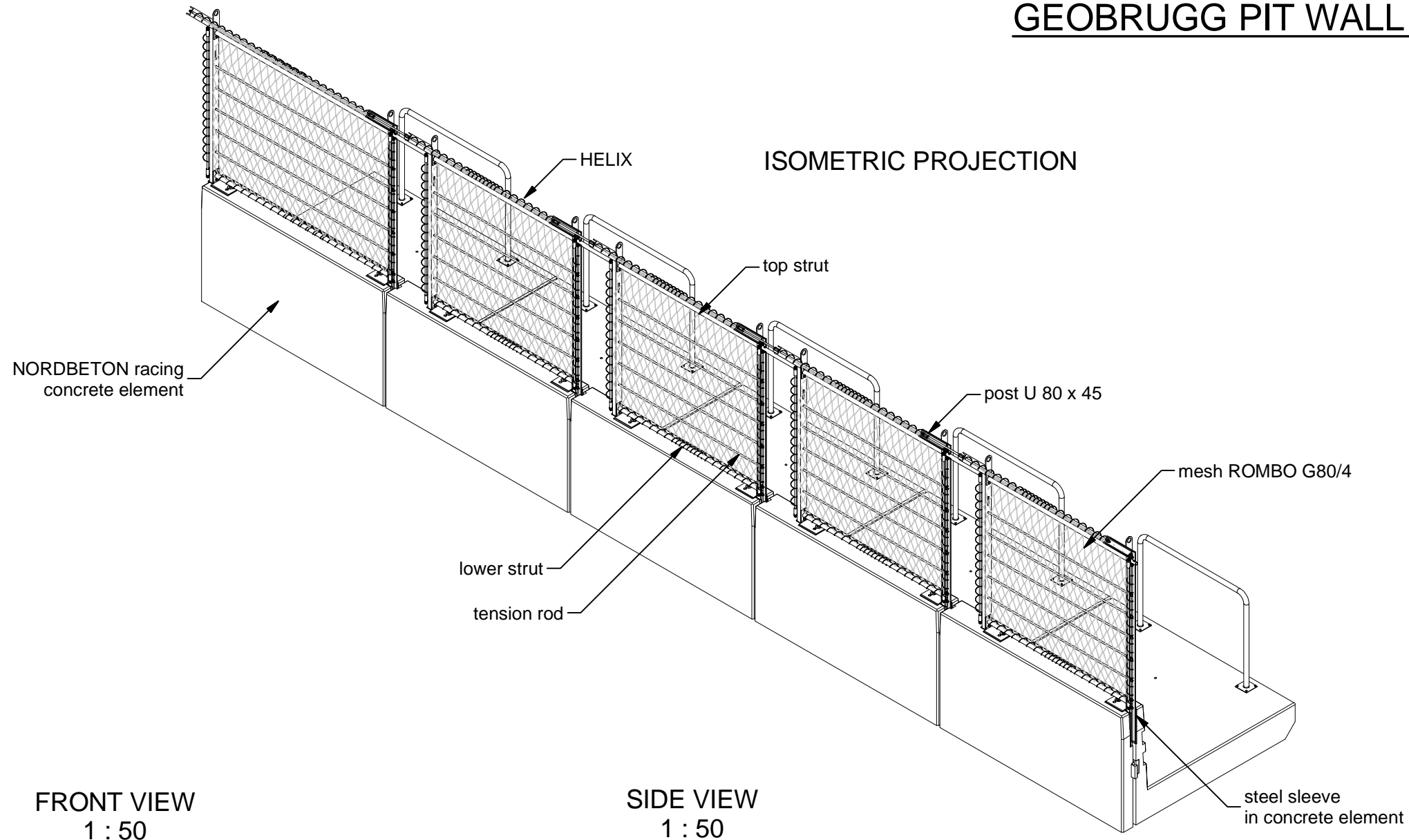
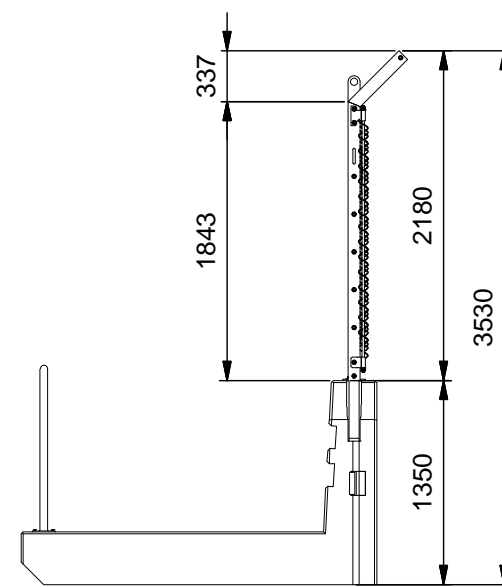
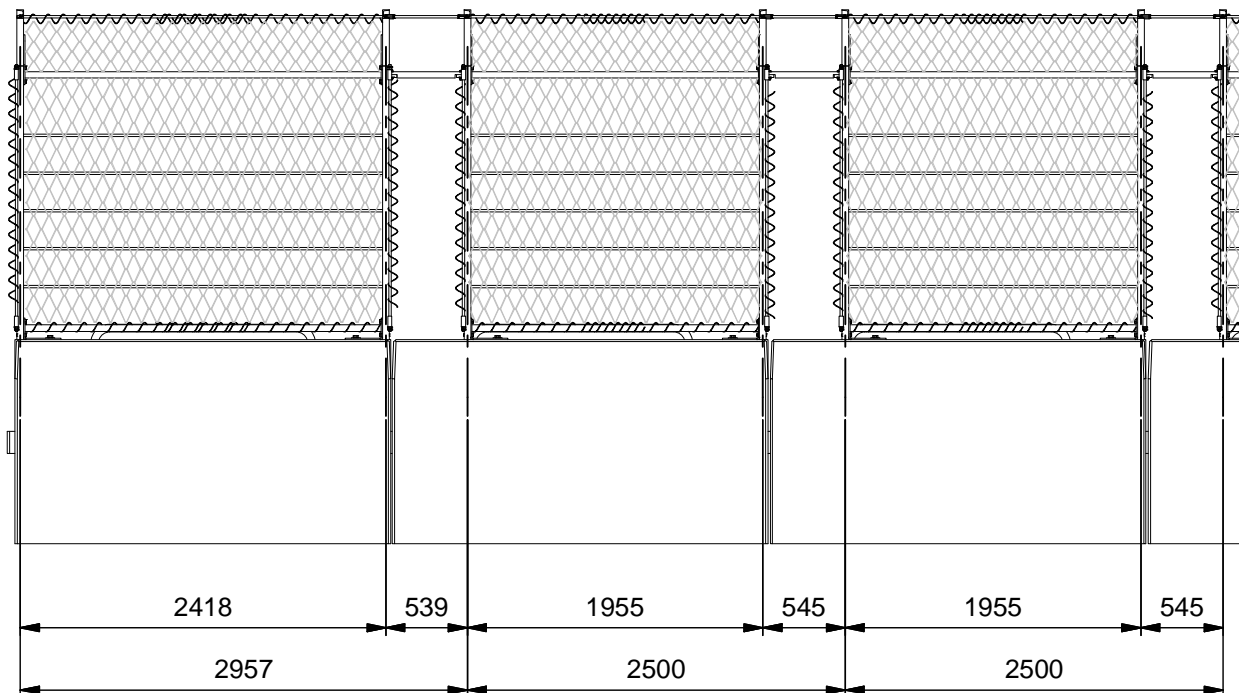


GEOBRUGG PIT WALL FENCE 350x250 M



FRONT VIEW
1 : 50

SIDE VIEW
1 : 50



NOTE:

Terrorism and criminal attacks, burglary and jailbreak, vandalism, sabotage, hazardous incidents and industrial or infrastructure accidents as well as similar threats or hazards are sporadic and unpredictable in time, location and intensity. Causes and attacking methods can be very different, often unpredictable and can even be a combination of several methods and sources. Due to the multiplicity of factors affecting such events, it is not and cannot be an exact science that guarantees the protection of individuals, property, infrastructure, etc.

However, by the application of sound engineering principles to a predictable range of parameters and by the implementation of correctly designed protection measures in identified risk areas the exposure of injury, damage, loss, etc. can be reduced substantially.

Guard, inspection and maintenance of such systems are an absolute requirement to ensure and maintain the desired protection level. The system protection can also be impaired by events such as sabotage, natural disasters, inadequate dimensioning parameters or failure to use the prescribed standard components, systems and original parts; and/or corrosion (caused by corrosion processes, pollution of the environment or other man-made factors as well as other external influences).

ChM-No:	Weight [kg]:	PIT WALL FENCE 350 M
Replacement for:		
Replaced by:		*** Project name ***
Drawn by:	Date:	schema
Checked by:	Date:	*** Project number ***
Released by:	Date:	0015
 BRUGG Aachstrasse 11 CH-8590 Romanshorn Tel +41 71 466 81 55 Fax +41 71 466 81 50		 A3

This document is the property of GEOBRUGG AG and fully protected by copyright. It may not be distributed in whole or in part, in any way copied, translated or reproduced. This drawing will not be replaced when modified.