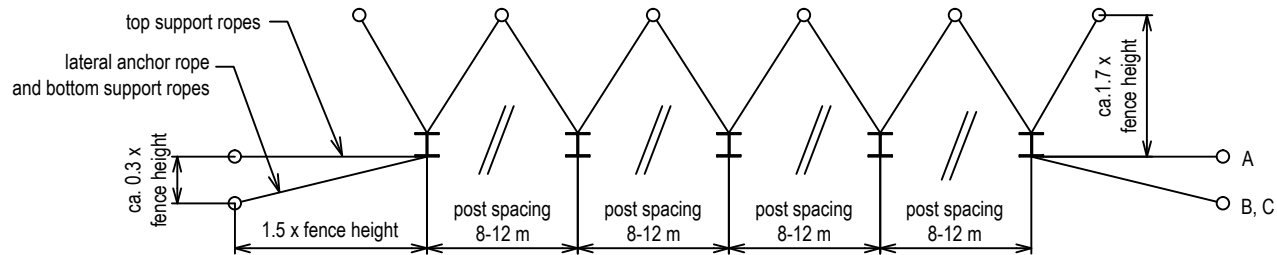
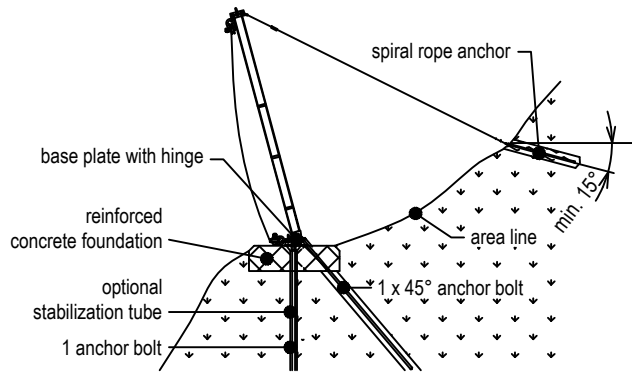


layout of anchor points

(details see product manual GBE-2000A)

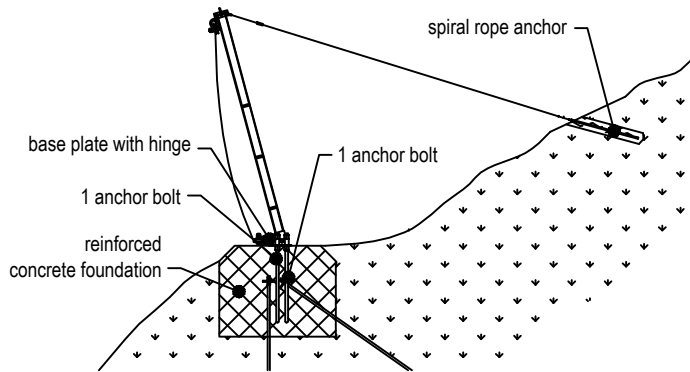


- anchoring in loose soil: 1 anchor bolt vertical + 1 x 45° anchor bolt



- anchoring in bedrock: with 2 anchor bolts vertical

- anchoring concrete foundation: for all types of soil



NOTE:
 Rockfall, landslides, debris flows or avalanches are sporadic and unpredictable. Causes can be e.g. human (construction, etc.) or environmental (weather, earthquakes, etc.). Due to the multiplicity of factors affecting such events it is not and cannot be an exact science that guarantees the safety of individuals and property. However, by the application of sound engineering principles to a predictable range of parameters and by the implementation of correctly designed protection measures in identified risk areas the risks of injury and loss of property can be reduced substantially. Inspection and maintenance of such systems are an absolute requirement to ensure the desired protection level. The system safety can also be impaired by events such as natural disasters, inadequate dimensioning parameters or failure to use the prescribed standard components, systems and original parts; and/or corrosion (caused by pollution of the environment or other man-made factors as well as other external influences).

modification:	M:%	substitute for: GS-1109e ed.15.09.16
-		replaced by:
Rockfall protection barrier		drawn 22.05.17 BIH
GBE-2000A system		checked 22.05.17 BIH
EOTA classification 5 (2000 kJ)		approved 22.05.17 LAA
GEOBRUGG AG CH-8590 Romanshorn		
		GS-1109 e

This document is proprietary to GEOBRUGG AG and is copyrighted with all rights reserved. It may not in whole or in part, be distributed, copied in any form, translated or otherwise reproduced in any form.

This document will not be exchanged, when being modified.