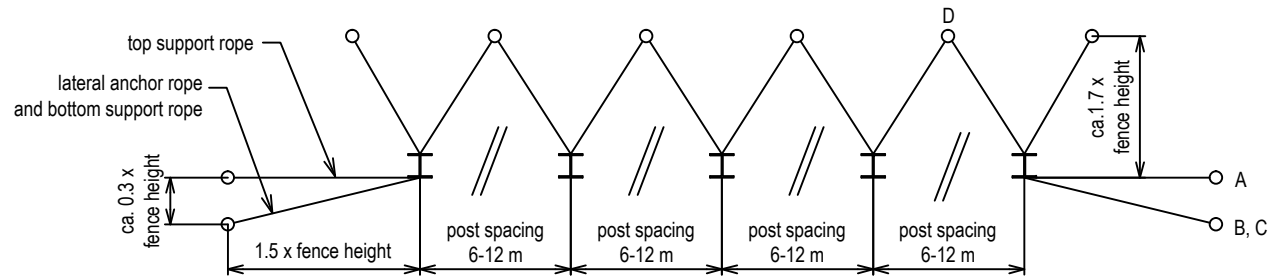
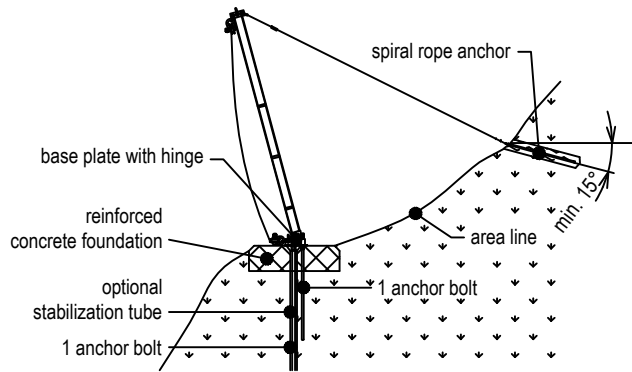


**layout of anchor points**

(details see product manual GBE-1000A)

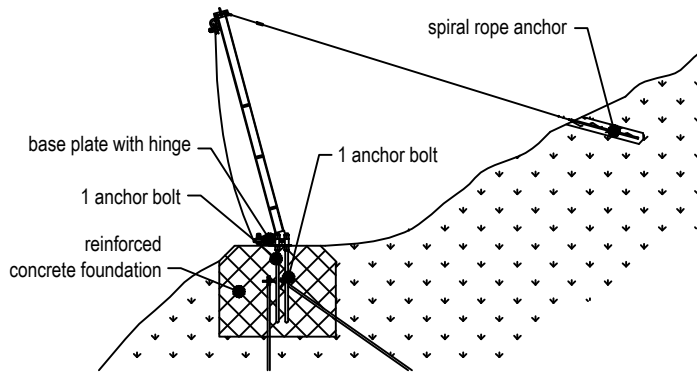


- anchoring in loose soil: with 2 anchor bolts vertical



- anchoring in bedrock: with 2 anchor bolts vertical

- anchoring concrete foundation: for all types of soil



**NOTE:**

Rockfall, landslides, debris flows or avalanches are sporadic and unpredictable. Causes can be e.g. human (construction, etc.) or environmental (weather, earthquakes, etc.). Due to the multiplicity of factors affecting such events it is not and cannot be an exact science that guarantees the safety of individuals and property. However, by the application of sound engineering principles to a predictable range of parameters and by the implementation of correctly designed protection measures in identified risk areas the risks of injury and loss of property can be reduced substantially. Inspection and maintenance of such systems are an absolute requirement to ensure the desired protection level. The system safety can also be impaired by events such as natural disasters, inadequate dimensioning parameters or failure to use the prescribed standard components, systems and original parts; and/or corrosion (caused by pollution of the environment or other man-made factors as well as other external influences).

modification:	M:%	substitute for: GS-1100e ed 15.09.16
-		replaced by:

<b>Rockfall protection barrier</b>	drawn	22.05.17	BIH
<b>GBE-1000A system</b>	checked	22.05.17	BIH
<b>EOTA classification 3 (1000 kJ)</b>	approved	22.05.17	LAA

GEOBRUGG AG CH-8590 Romanshorn		<b>GS-1104 e</b>
-----------------------------------	--	------------------

This document is proprietary to GEOBRUGG AG and is copyrighted with all rights reserved. It may not in whole or in part, be distributed, copied in any form, translated or otherwise reproduced in any form.

This document will not be exchanged, when being modified.