

# TECHNICAL DATA SHEET

## Connection Clip T3

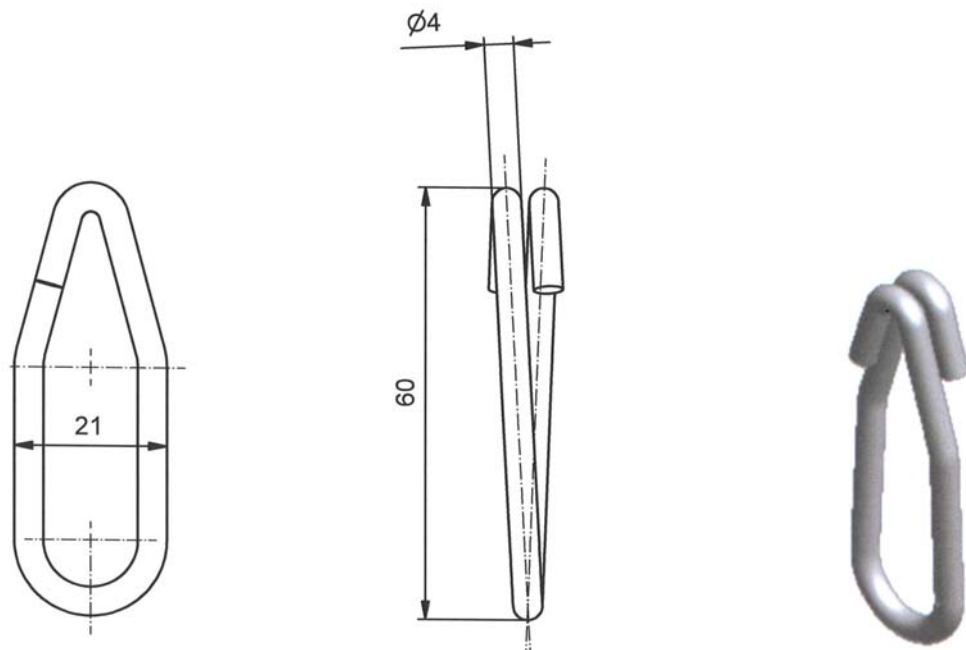
### for high-tensile steel wire mesh TECCO®

Connection Clip T3	
Dimensions:	21 · 60 mm
Number of clips per diamond opening:	1 pcs/diam. G65/2+G65/3 2 pcs/diam. G65/4
Number of clips per m' for the connection of the rolls sideways:	7 pcs/m G65/2+G65/3 14.4 pcs/m G65/4
Weight:	15.7 g per clip

Connection Clip T3 steel wire	
Wire diameter:	d = 4.0 mm
Tensile strength:	$f_t \geq 1'770 \text{ N/mm}^2$
Material:	high-tensile spring steel wire
Tensile force of a wire:	$Z_w \geq 22 \text{ kN}$

Connection Clip T3 corrosion protection	
Corrosion protection:	GEOBRUGG ULTRACOATING®
Compound:	94.5% Zn / 5% Al + 0.5% special add-on
Coating:	min. 150 g/m <sup>2</sup>

# Connection Clip T3



Rockfall, slides, mudflows and avalanches are natural events and therefore cannot be calculated. This is why it is impossible to determine or guarantee absolute safety for persons and property with scientific methods. This means that to provide the protection we strive for, it is imperative to maintain and service protective systems regularly and appropriately. Moreover, the degree of protection can be diminished by events that exceed the absorption capacity of the system as calculated to good engineering practice, failure to use original parts or corrosion (i.e., from environmental pollution or other outside influences).