

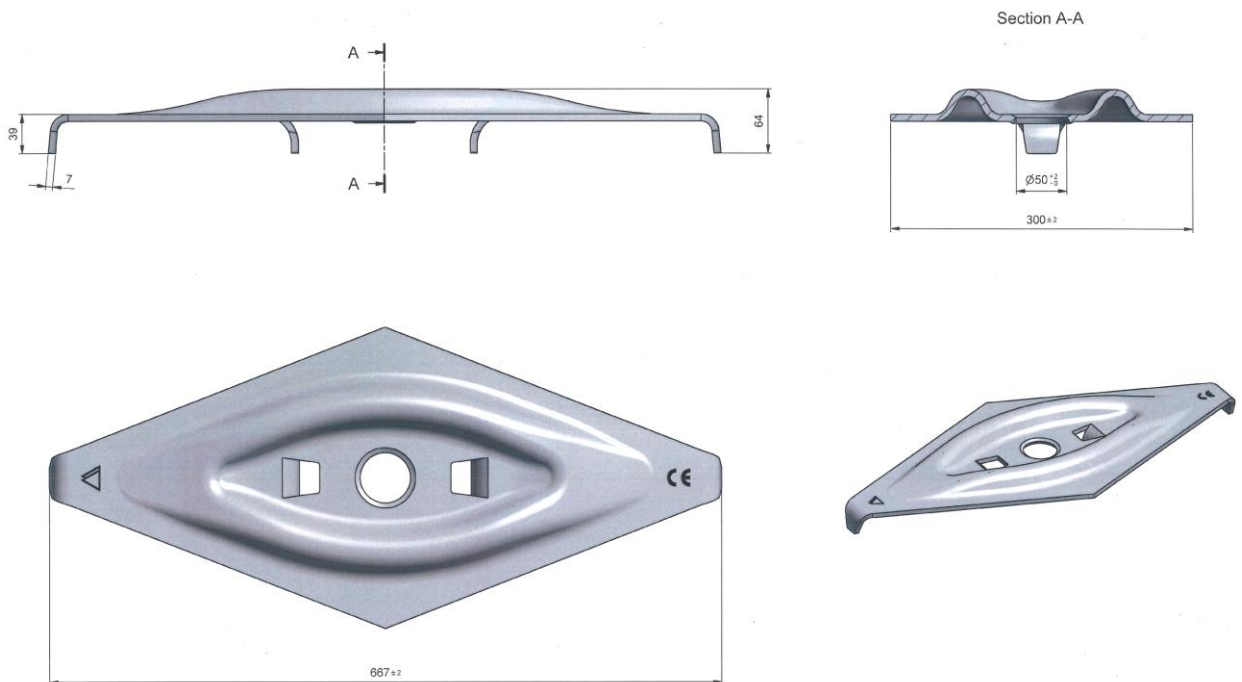
TECHNICAL DATA SHEET

Spike plate P66/50 N

for high-tensile steel wire mesh **TECCO®** / **SPIDER®**

Spike plate P66/50 N		Spike plate P66/50 N Steel	
Length:	667 mm	Steel quality:	S355J according to EN 10025-2
Width:	300 mm		
Thickness:	7 mm		
Hole diameter:	50 mm		
Length of the spikes:	min. 30 mm		
Weight:	6.7 kg		
Geometry:	diamond		
Longitudinal bending resistance:	≥ 8 kNm		
Spike plate P66/50 N corrosion protection			
Corrosion protection:	hot-dip galvanized based on EN ISO 1461		
Layer thickness in average:	55 µm		

Spike plate P66/50 N



Rockfall, slides, mudflows and avalanches are natural events and therefore cannot be calculated. This is why it is impossible to determine or guarantee absolute safety for persons and property with scientific methods. This means that to provide the protection we strive for, it is imperative to maintain and service protective systems regularly and appropriately. Moreover, the degree of protection can be diminished by events that exceed the absorption capacity of the system as calculated to good engineering practice, failure to use original parts or corrosion (i.e., from environmental pollution or other outside influences).