

**TECCO® slope stabilization with
new connection clip T3**



**Connecting TECCO® G65/3 mesh panels with the new
connection clip T3**

Connecting TECCO® mesh panels with the new connection clip T3

Introduction

The connection clip T3 is used to connect adjacent sides of TECCO® G65/3 mesh panels together in both horizontal and vertical directions.

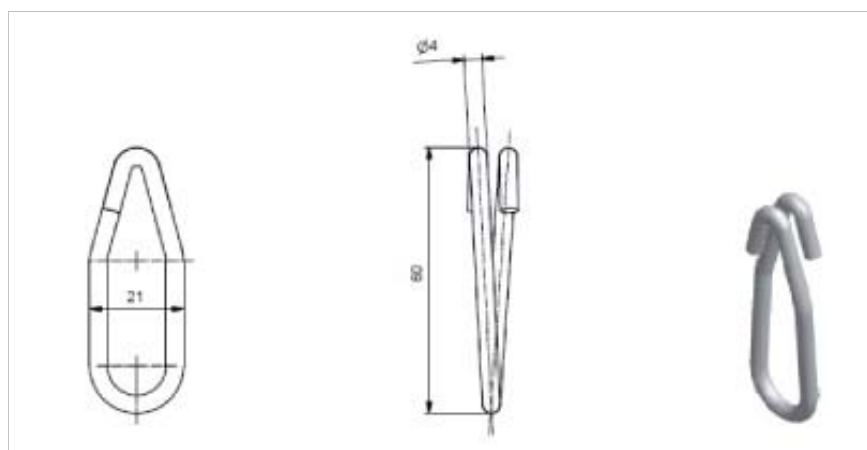
Until now, press claws type 1 were used which had to be closed with water pump pliers. Thus, each individual edge-mesh opening had to be secured with a press claw to the neighboring mesh. The new clip T3 is easily applied by hand over the wire. No other tools are needed.

The connection clip T3 is made from high-tensile steel wire with a minimum tensile strength of 1'770 N/mm² just like the TECCO® itself. For the connection clip T3, a wire diameter of 4.0 mm is used. The clip is only 60 x 21 mm and has two reversed end hooks on the one side of the clamp.

Advantages

- Can be easily and quickly installed by hand without any tool
- Only half of the quantity is required compared to the old press claws
- No overlap of the mesh required
- 100% force-locked connection
- TECCO® mesh can be connected longitudinally and laterally with only 1 clip for every diamond mesh
- Made out of high-tensile wire as the TECCO® mesh (4 mm wire)
- Same corrosion protection as the TECCO® mesh (at least 150 g/m² SUPER-COATING®)
- The new clip is lighter than the old one

Drawing connection clip T3



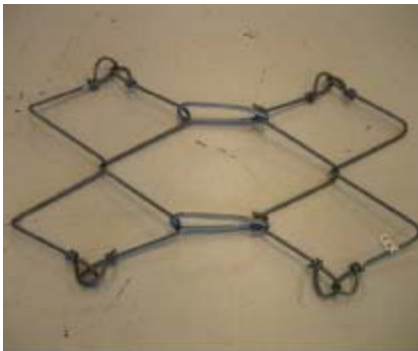
Tests performed

In the development of the connection clip T3 on the calibrated tension test bench of Geobrugg AG, tension tests at interconnected TECCO® G65/3 meshes were executed in the transversal direction. Furthermore, tension tests were also executed by Baremo GmbH on their calibrated tension test device in the longitudinal direction. The following photos show the test arrangement and the conditions before and after loading.

Tests executed by Baremo:



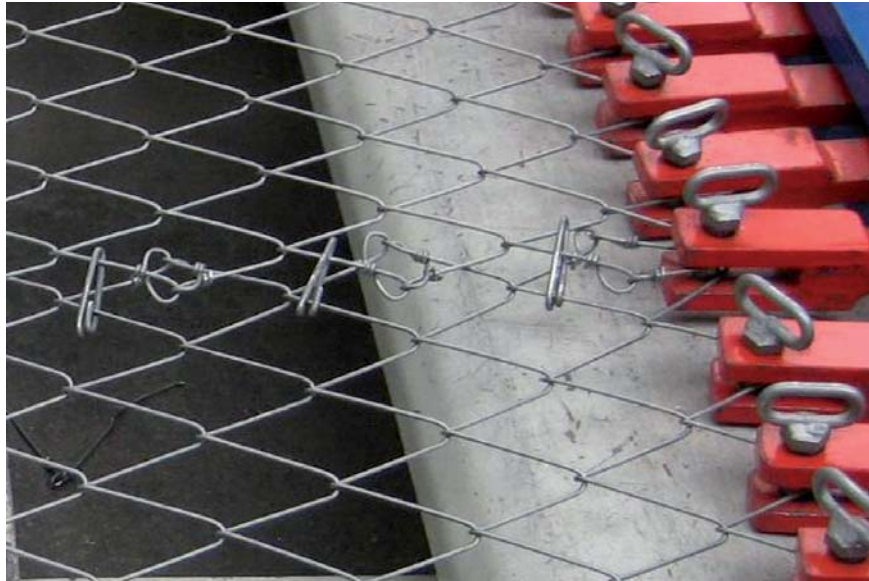
Test arrangement



Test sample

Tests executed by Geobruigg:

Situation before testing

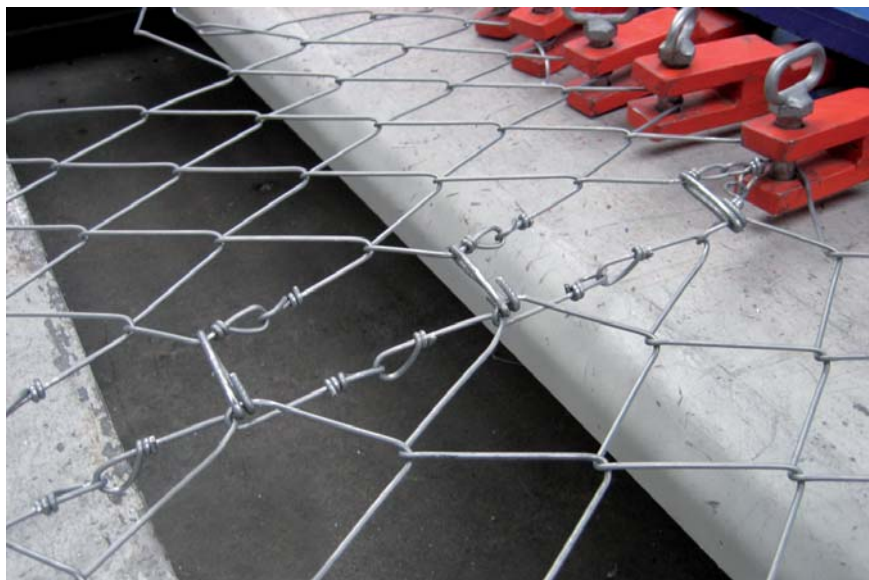


Condition right before the collapse of the mesh



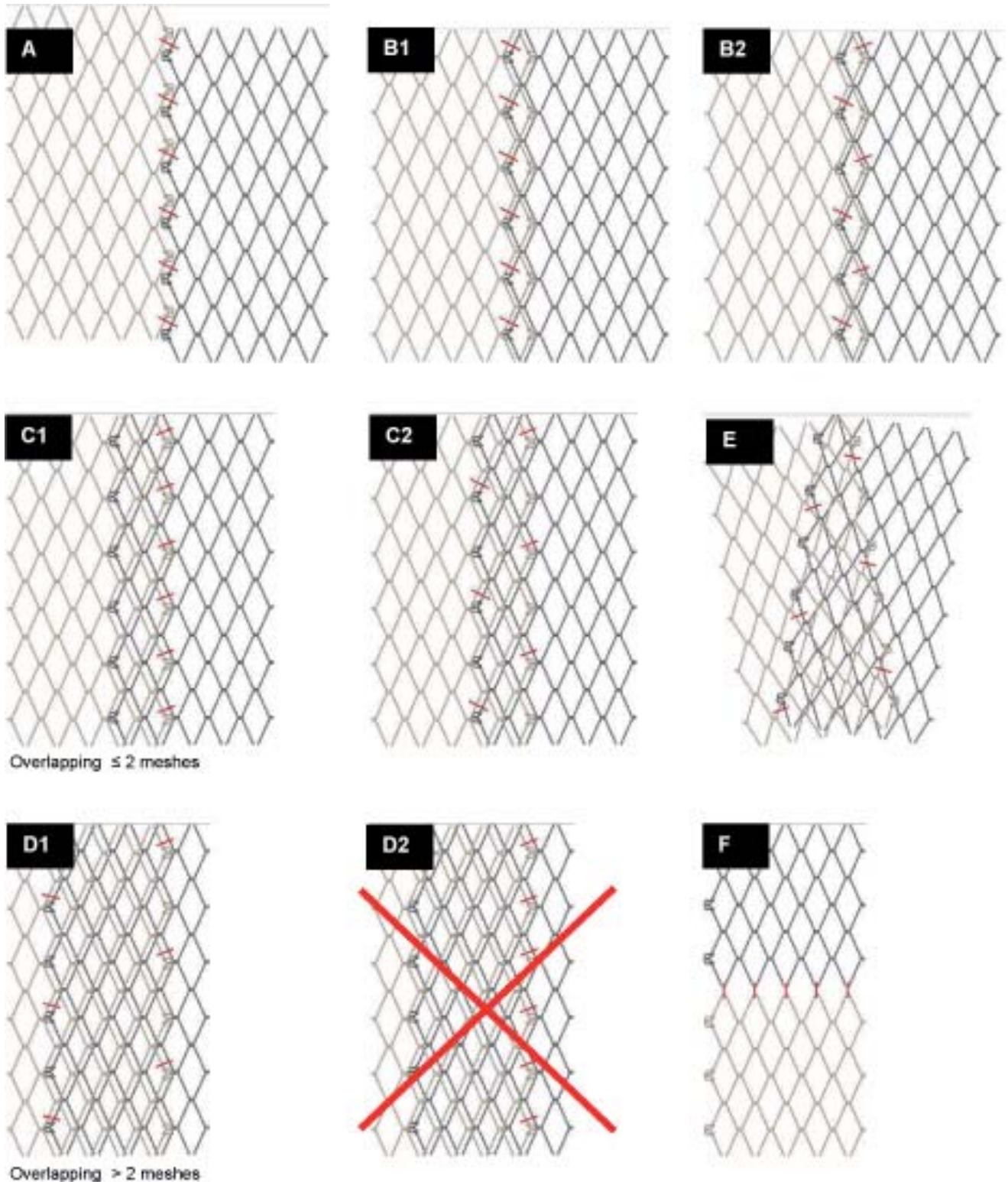
Condition after the collapse of the mesh with intact clips

All the tests have shown that the new connection clip T3, used in every diamond mesh, is able to transfer more load than the TECCO® G65/3 for both lateral and longitudinal connection of the mesh.



Instructions for connecting TECCO® G65/3 mesh panels with connection clips T3

The following figures clarify the arrangement of connection clips T3 for different positions of mesh panels relative to each other for lateral connection (standard) and for longitudinal connection of mesh panels (optional). This enables a force-locked connection. For connecting TECCO® G65/3 mesh panels, 7 clips T3 / m' are needed in the transversal and 12 clips T3 / m' in the longitudinal. The clips need to be installed in such a way that both hooks can carry the load.



Installation on site







Rockfall barriers

Rockfall drapes

Slope stabilization systems

Debris flow barriers

Avalanche prevention structures

Open pit rockfall barriers

Special applications

Geobrugg protects people and infrastructures from the forces of nature

It is the task of our engineers and partners to analyze the problem together with you in detail and then, together with local consultants, to present solutions. Painstaking planning is not the only thing you can expect from us, however; since we have our own production plants on three continents, we can offer not only short delivery paths and times, but also optimal local customer service. With a view towards a trouble-free execution, we deliver pre-assembled and clearly identified system components right to the construction site. There we provide support, if desired, including technical support – from installation right on up until acceptance of the structure.



Geobrugg AG

Geohazard Solutions
Aachstrasse 11 • CH-8590 Romanshorn
Phone +41 71 466 81 55 • Fax +41 71 466 81 50
www.geobrugg.com • info@geobrugg.com

A company of the BRUGG Group

Certified to ISO 9001